



BILL30M



CONTROL PANELS:

BILL30M — BRAINY
HEADY



AUTOMATIONS FOR SWINGING GATES LINEAR TELESCOPIC OPERATOR

personalised release key
up to 2.5 m

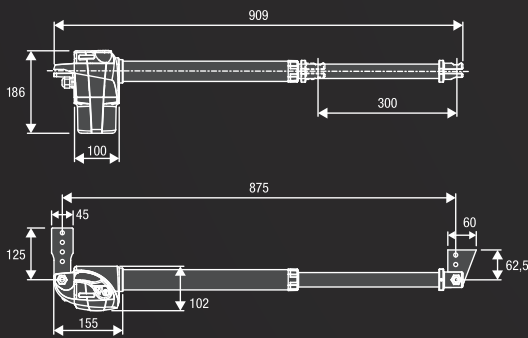


Security
Kala.ir

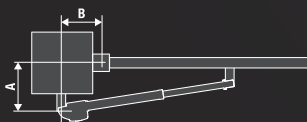
www.Securitykala.ir | 031 400 0077 | 09133648641

230 Vac

- Irreversible 230 Vac electromechanical geared motor with easy access release from above
- Neat design and size, particularly suited to forged iron gates
- Easy and quick to install due to compact size and installation dimensions
- Worm protected by a scraper ring and stainless steel stem, suitable for use in dusty and sandy environments or where there are aggressive atmospheric agents.
- Available in right or left version



MEASURES

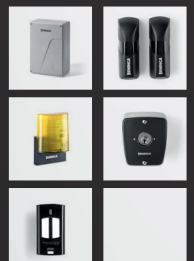


| | A | B |
|----------------|---------|---------|
| BILL30M | 100-150 | 100-150 |

COMPLETE KITS

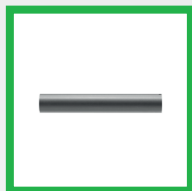
KBILL30M 9592184

- 2 **BILL30M** 230 Vac Operators
- 1 **HEADY** 230 Vac control unit with integrated receiver
- 1 **PUPILLA.F** Pair of photocells
- 1 **LAMPI.LED** 230 Vac Led flashing light with built-in aerial
- 1 **TOKEY** Metal key selector
- 1 **TO.GO2WV** 433.92 MHz Transmitter





B.SR
9819310
Multiposition brackets for one operator BILL30M.



BILL30.CO
9253001
Telescopic stem cover accessory for models BILL30M.



DU.V96
9765035
12 Vac/dc vertical electric lock, supplied with counterplate. Permits internal/external release.



DU.V90
9765030
12 Vac/dc horizontal electric lock, supplied with counterplate. Permits internal/external release.



DU.9990
9623010
Covering plate for DU.V90.



E.LOCK
9765001
230 Vac vertical electric lock, supplied with counterplate.



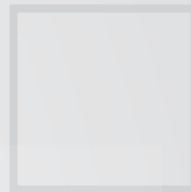
E.LOCKSE
9765002
Extended cylinder for E.LOCK electric lock. It allows to unlock gates up to 55mm-thick from the outside.



ID.TA
9846019
Warning board.



ESA BASIC
9176108
System that reduces the electrical energy consumption.



Security
Kala.ir

www.SecurityKala.ir | 031 91005037 | 09133648641

فروشگاه تجهیزات حفاظتی و امنیتی

MADE IN ITALY

AUTOMATISMI BENINCA SpA • via del Capitello, 45 • 36066 Sandrigo (VI) ITALY • T +39 0444 751030 • F +39 0444 759728 • sales@beninca.it

| TECHNICAL DATA | BILL30M |
|-----------------------------|---------------------------|
| Code | 9592100 (R) / 9592101 (L) |
| Power supply | 230 Vac (50-60Hz) |
| Motor supply | 230 Vac |
| Max absorbed current | 1.1 A |
| Max Thrust | 2800 N |
| Opening time | 16" |
| Operation cycle | 30% |
| Standard stroke | 300 mm |
| Max stroke | 320 mm |
| Protection level | IP54 |
| Operating temperature | -20°C /+50°C |
| Leaf max dimension | 2.5 m |
| Weight | 5.7 kg |
| Items no. per pallet | 66 |
| Kits no. per pallet | 32 |